

FEATURES

RP Bowl

- DYNAMAX™ TORNADO FLUSH® system, high efficiency (1.28GPF/0.9GPF)
- CEFIONTECT® ceramic glaze - prevents debris, mold from sticking to ceramic surfaces
- Universal Height
- D-shape front bowl

SoftClose® Seat

- D-shape closed front toilet seat and cover with SoftClose hinge system
- Mounting hardware included
- Made from urea resin
- Quick release hinges for easier cleaning

DuoFit® In-Wall Tank

- High-efficiency dual flush 1.28 & 0.9 GPF (4.8 & 3.4 LPF)
Avg. flush 1.03 GPF
- Adjustable 15" -19" mounting height
- Saves up to 9" of floor space compared to standard floor-mounted toilet
- Supports up to 880lbs
- Commercial 2" x 6" or optional residential installation with 2" x 4" wall studs with waste outlet kit
- Copper supply line

KIT COMPONENTS

- CT447CFG#01
RP Wall-Hung Toilet
- WT172M
In-Wall Tank System (Copper Pipe)
- SS247#01
Slim D-Shape SoftClose Seat
- YT930#WH
Basic Round Push Plate - White Matte
- YT930#MS
Basic Round Push Plate - Matte Silver

COLORS/FINISHES

- Standard
#01 Cotton



**DYNAMAX
TORNADO FLUSH**



Skirted Design



CEFIONTECT



Universal Height

CODES/STANDARDS

- Meets and exceeds:
 - Bowl: ASME A112.19.2/CSA B45.1, ASME A112.19.14
 - Carrier System: ASME A112.6.2
 - Tank Trim: IAPMO PS50, CSA B125.3, ASSE1002
- Certifications: IAPMO (cUPC), EPA WaterSense, State of Massachusetts, City of Los Angeles and others
- Legislative compliance: California AB715, California Green Building Code, City of Los Angeles Water Efficiency Ordinance
- Code Compliance: UPC, IPC, NSPC, NPC Canada, and others
- Complies with CA Prop 65 warning requirements



CWT447247CMFG

RP Wall-Hung Toilet, 1.28GPF & 0.9GPF

PRODUCT SPECIFICATIONS

	CT447CFG	SS247	WT172M
Water Use	1.28GPF & 0.9GPF (4.8LPF & 3.4LPF)		1.28GPF & 0.9GPF (4.8LPF & 3.4LPF)
Flush System	DYNAMAX™ TORNADO FLUSH®		Dual-Max®
Min. Water Pressure	8 psi (static)		8 psi (static)
Max. Water Pressure	108.75 psi (static)		108.75 psi (static)
Water Surface	5-1/2" X 4-1/8"		
Trap Diameter	2-1/8"		
Installation Height	15" to 19"		15" to 19"
Trap Seal	2-1/8"		
Warranty	One Year Limited Warranty	One Year Limited Warranty	One Year Limited Warranty
Material	Vitreous China	Urea Resin	Various
Shipping Weight	76 lbs	8 lbs 8 oz	38 lbs
Shipping Dimensions	24" H x 14" W x 16-1/2" L	20-1/2" x 19-1/4" x 3-1/4"	48" L x 26-1/2" W x 6" H

CT447CFG

This universal height, D-shaped front bowl, high efficiency DYNAMAX TORNADO FLUSH system toilet shall be 1.28GPF & 0.9GPF. Toilet shall have CEFIONTECT ceramic glaze. Toilet requires in-wall tank system and wall-mounted push-plate type trip lever. Toilet shall be TOTO Model CT447CFG#01.

SS247

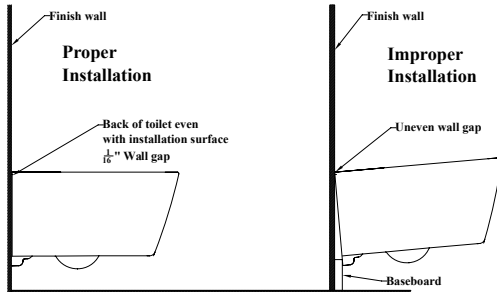
Seat shall be made from urea resin for both the seat and seat cover. The seat installation is top mount installation with adjustable hinge plates and stainless steel hinge caps.

WT172M

This universal height, high-efficiency, dual flushing, in-wall tank system toilet shall be 1.28GPF & 0.9GPF. Requires TOTO toilet model CT447CFG and wall-mounted push plate. In-Wall tank system shall be TOTO Model WT172M.

INSTALLATION NOTES

- Adequate structural bracing is required
- Framing support should be capable of supporting 880 lbs load without damage to the wall. See installation manual for more details.

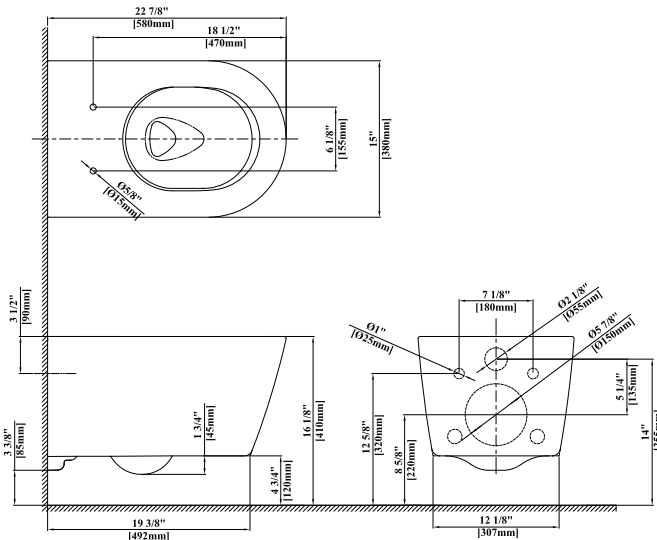


YT930

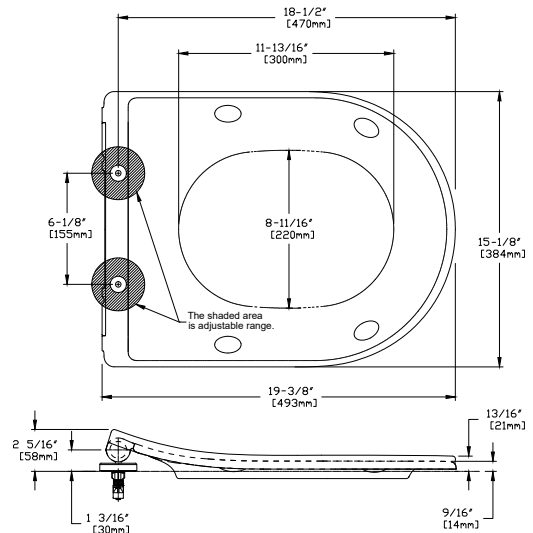
Dual button push plate required. Basic Wall comes in two options, White Matte or Matte Silver. Optional Brushed Stainless Steel is available.

PRODUCT DIMENSIONS

CT447CFG



SS247

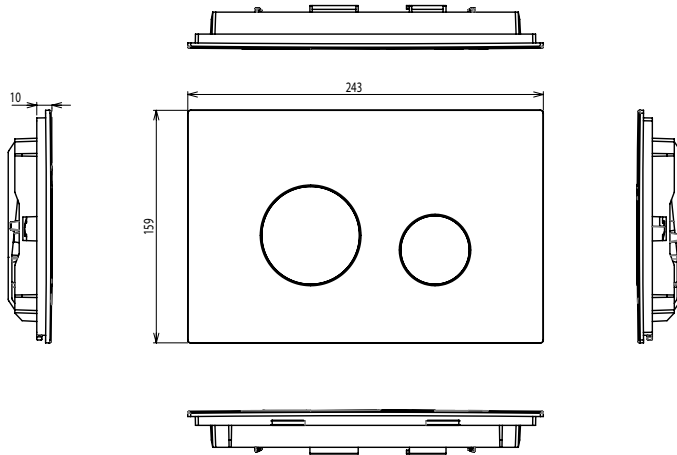


CWT447247CMFG

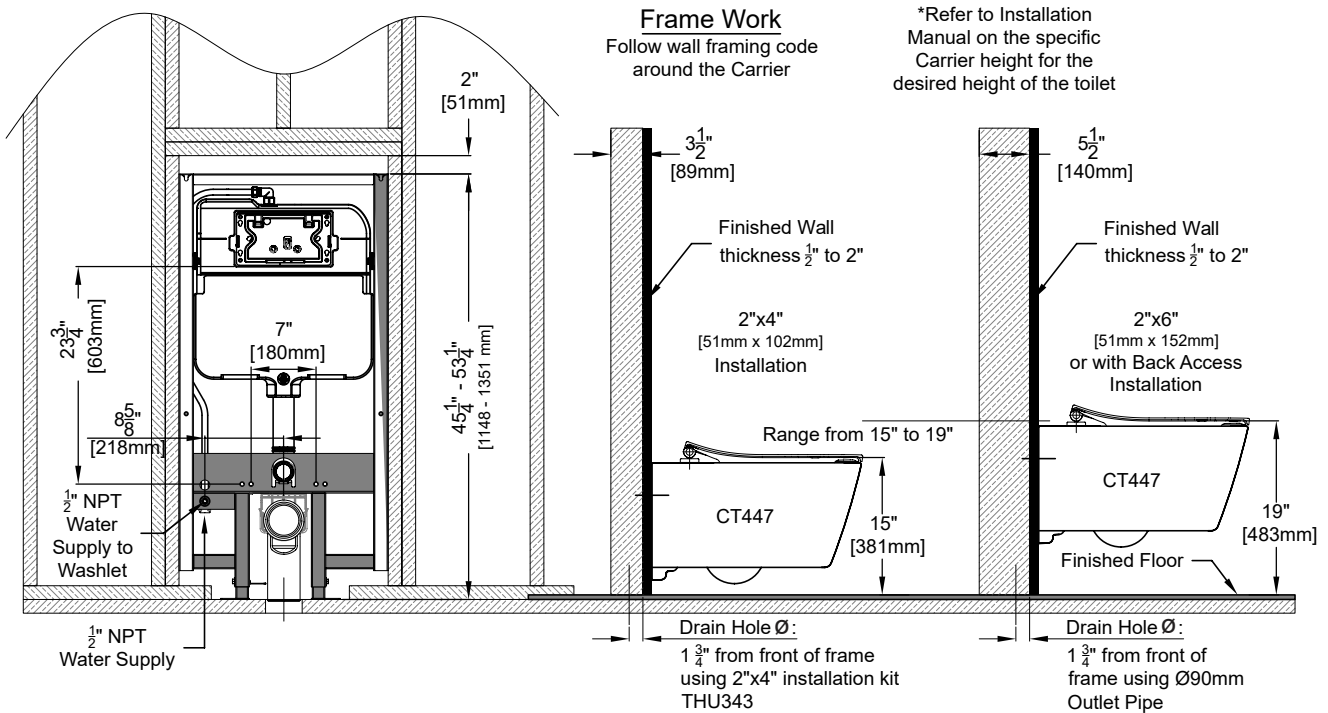
RP Wall-Hung Toilet, 1.28GPF & 0.9GPF

PRODUCT DIMENSIONS

YT930



WT172M



TOTO

These dimensions and specifications are subject to change without notice