

EVANESCENCE 6634

66" x 34" x 28" (FREESTANDING)

Evanescence means "state of transformation." The collection is an invitation to turn your relaxation space into a sanctuary of luxury and wellness.

PRODUCT NO.

| MODEL | TMU | TUB |
|--------------|--------------|--------------|
| Freestanding | BEVKRF00T-XX | BEVKRF00N-XX |

THERMOMASSEUR (TMU)

Hydro-thermo massage • Air jet system

\$10,420

| | |
|--|----------|
| Jets | 38 |
| 1 heated backrest & headrest | Included |
| MiaPlus® Control* | Included |
| BU-Touch Control Application | Included |
| Geysair® | Included |
| AromaCloud® | N/A |
| AromaFlow*** BAROMAF NEW | \$950 |
| Illuzio Chromatherapy BCHRO6 | \$925 |
| 2 nd heated backrest (WTS-1 zone) BSHB | \$1,125 |


TUB

Soaker

\$7,800

| | |
|--|-----------------------|
| AromaCloud® | N/A |
| AromaFlow*** BAROMAF NEW | \$950 |
| Illuzio Chromatherapy BCHRO6 | \$925 |
| WarmTouchShell® BWTS | \$1,125 |
| DOT control | Included with therapy |
| 2 nd WarmTouchShell® BWTS2 | \$370 |

FEATURES

| | | | |
|-------------------|---|------------------|----|
| Installation type | Freestanding | | |
| No. of bathers |  | Imp. gallons | 46 |
| US gallons | 55 | Raised headrests | 2 |

INTEGRATED WASTE & OVERFLOW **BOVERINI-XX**

| | |
|---|----------------------|
| White 01 , Chrome 07 , Brushed Nickel 09 , Polished Nickel 10 , Matte White with UltraVelour finish 32 | Installed & Included |
|---|----------------------|

STANDARD COLOR

| | |
|---|----------|
|  | Included |
| White 01 | |

OPTIONS (UPCHARGE APPLICABLE)

COLOR

| | | |
|---|-------------------------|-------|
|  | Black / White 66 | \$475 |
|---|-------------------------|-------|

FINISH

| | |
|--|-------|
| UltraVelour Matte Finish (white only) BVEL2 | \$850 |
|--|-------|

UNIVERSAL ARMRESTS **BGBGU-XX**

| | |
|-----------------|-------|
| White 01 | \$750 |
|-----------------|-------|

INTEGRATED WASTE & OVERFLOW **BOVERINI-XX**

| | |
|---|-------|
| Matte Black 19 , Satin Brass 18 | \$120 |
|---|-------|

ISLAND TUB DRAIN™**

| | |
|---|-------|
| Island Tub Drain™ BISLDD | \$260 |
| Cast Iron Island Tub Drain™ BISLDDCI | \$310 |

IF REQUIRED BY CONSTRUCTION CODE

| | |
|--|-------|
| Brass waste & overflow kit BDRCOB | \$240 |
| Brass waste kit BDRCB | \$60 |



Don't forget to specify the **finish of the integrated waste & overflow.**

* For TMU, control must be wall-mounted. Faucets must be freestanding or wall-mounted.

** An Island Tub Drain™ is required when there is **no access under the bath.**

*** When ordering an AromaFlow, an Integrated waste & overflow is mandatory (Included). Specify the finish of the waste.

FOR THE INSTALLER

SCAN TO VIEW INSTALLATION VIDEO (3:20 MIN)



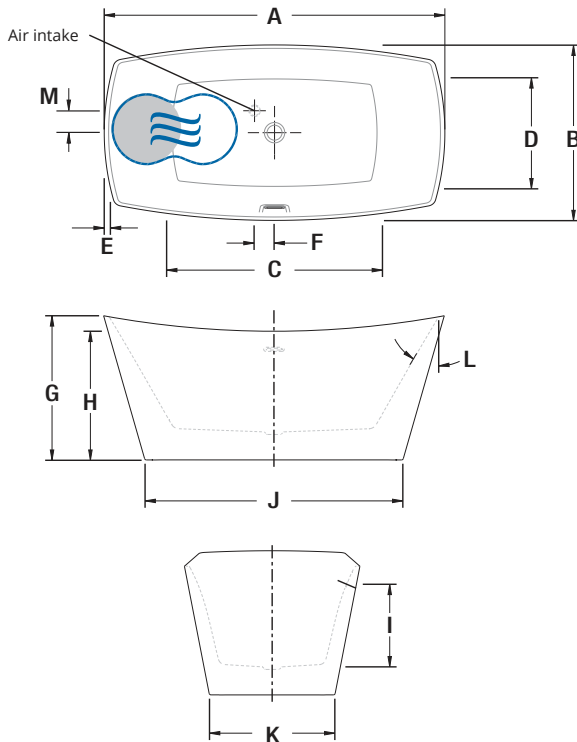


EVANESCENCE 6634 (FREESTANDING)



Evanescence 6634 with AromaFlow

INSTALLATION



| LETTER | DESCRIPTION | MEASURE |
|--------|---|---------------------|
| A | Total length | 66" |
| B | Total width | 34" |
| C | Bathing well length | 41 7/8" |
| D | Bathing well width | 21 1/2" |
| E | Deck width | 1 1/4" |
| F | Center drain to center air intake | 3 7/8" |
| G | Total height to headrest | 28" |
| H | Minimum height to center | 25" |
| I | Maximum water level Maximum water level with AromaFlow | 15 7/8" 15 5/16" |
| J | Base length | 50" |
| K | Base width | 24 1/4" |
| L | Slope of backrest | 31° |
| M | Center drain to center air intake | 4 1/4" |

- Indicates heated backrest (TMU)
- ☉ Indicates WarmTouchShell® position (TUB)

TECHNICAL SPECIFICATIONS

| | |
|----------------------------------|---|
| Hot water supply required | The hot water supply should be 70% or more of the bath's total water capacity. |
| Turbine | Access to the pump must be at least 18" x 22". Standard connection is 20 A, 120 V, 60 Hz, dedicated line with a Ground-Fault Circuit Interrupter (GFCI). For any additional option, a second line is needed 15 A, 120 V, 60 Hz, dedicated line with a GFCI. Air vent necessary: 2" x 4" minimum. |
| Others | <ul style="list-style-type: none"> - The Geysair® is located on the same side as the heated backrest. It must NOT be relocated. It must be connected to the hot water supply and be accessible (provide access). - Faucet must be freestanding or wall-mounted. - The turbine must be remotely installed. - Controls cannot be installed on the deck of the bath. - The water level will vary when an AromaFlow is installed. |

Our products must be installed by certified professionals only and according to our Owner's Manual as well as federal, provincial/state and local building codes and regulations (www.bainultra.com/dealers/dealer-documentation-and-catalog).

| | |
|--------------------------------|------------|
| Cutting template | # 90000065 |
| Approx. shipping weight | 230 lb |
| Turbine power | 550 W |
| Air heater | 600 W |
| WARRANTY | |
| Controls-LED-Geysair* | 5 years |
| Bath & turbine* | 20 years |

* Some restrictions apply | www.bainultra.com/warranty

The specifications shown indicate the outer edge dimension and the inside bathing capacity dimension measured at air jets' height. The manufacturer accepts a 1/4" [0.64 cm] variance. There are variations on each product and specifications are subject to change as we improve upon our product as required. The dimensions needed for site preparation and structure building will differ. BainUltra® assumes no responsibility for preparatory work done prior to the product being on site.